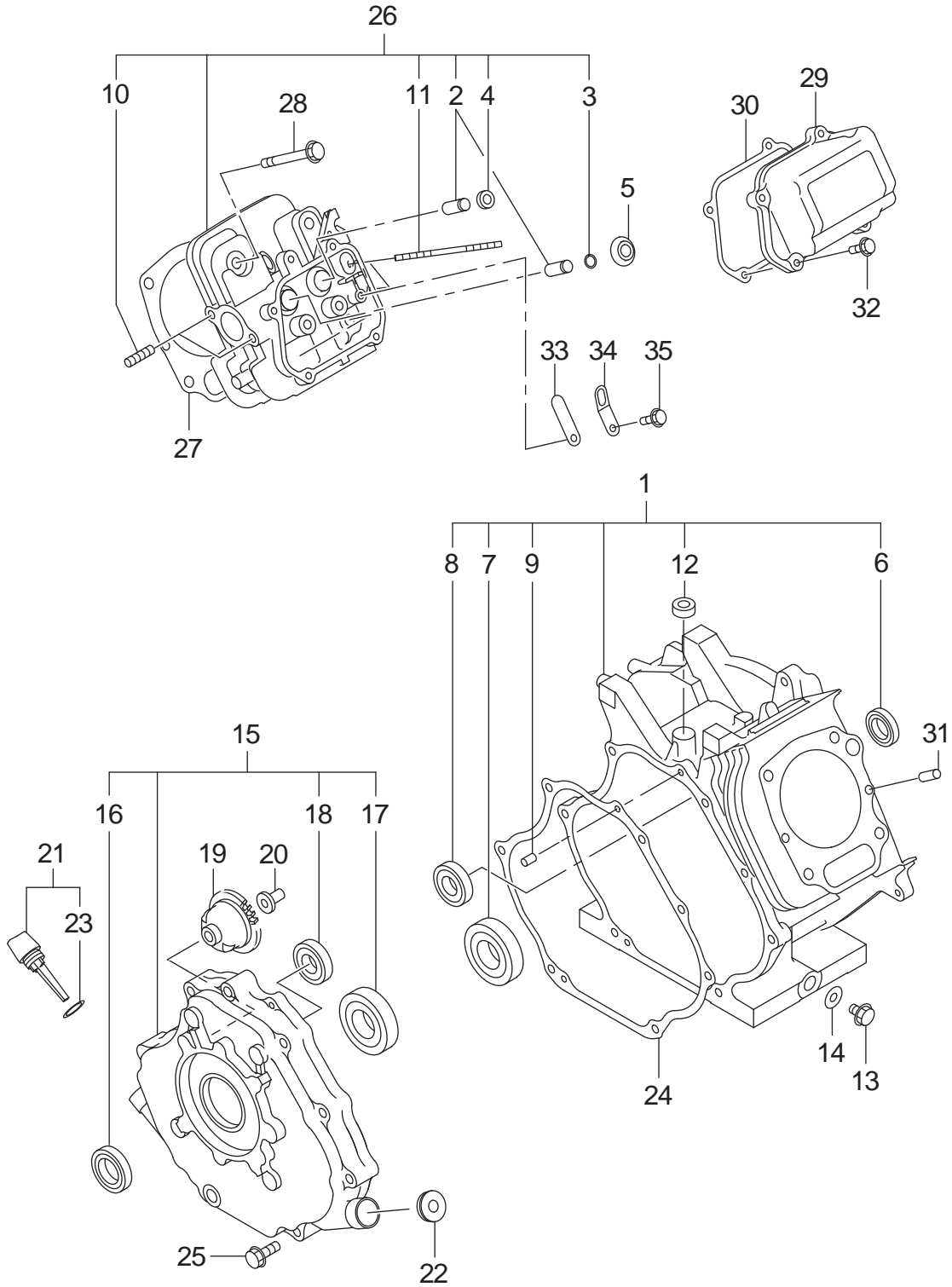


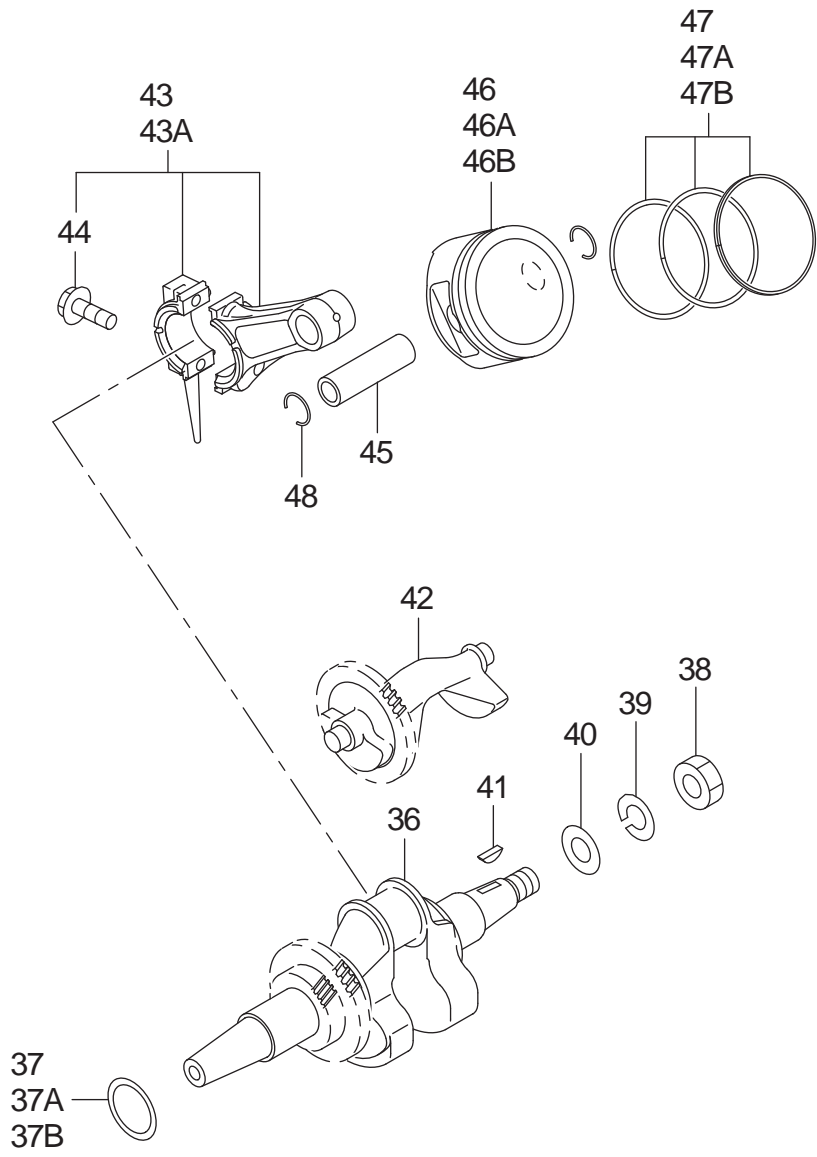


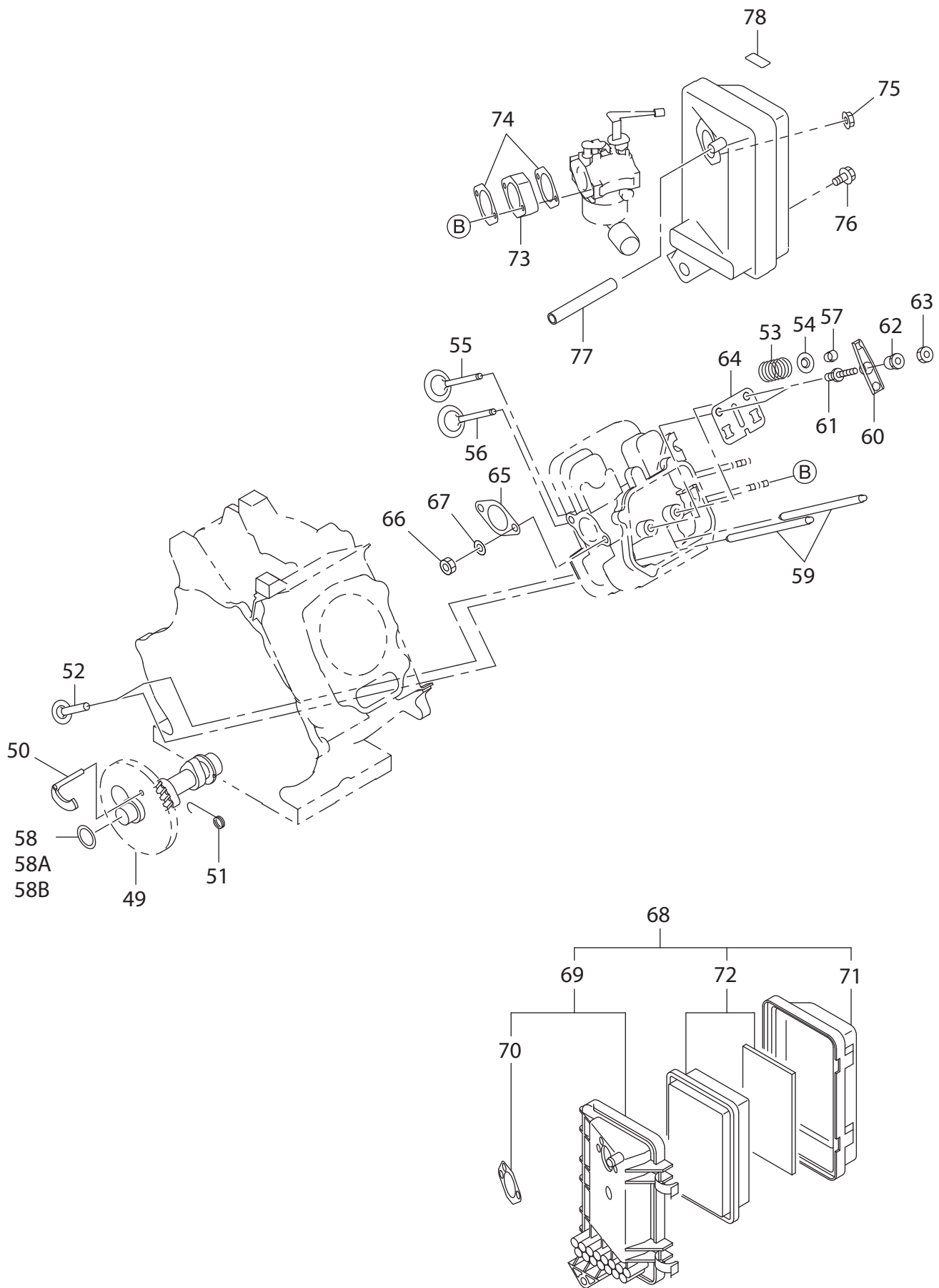
07 - 2010

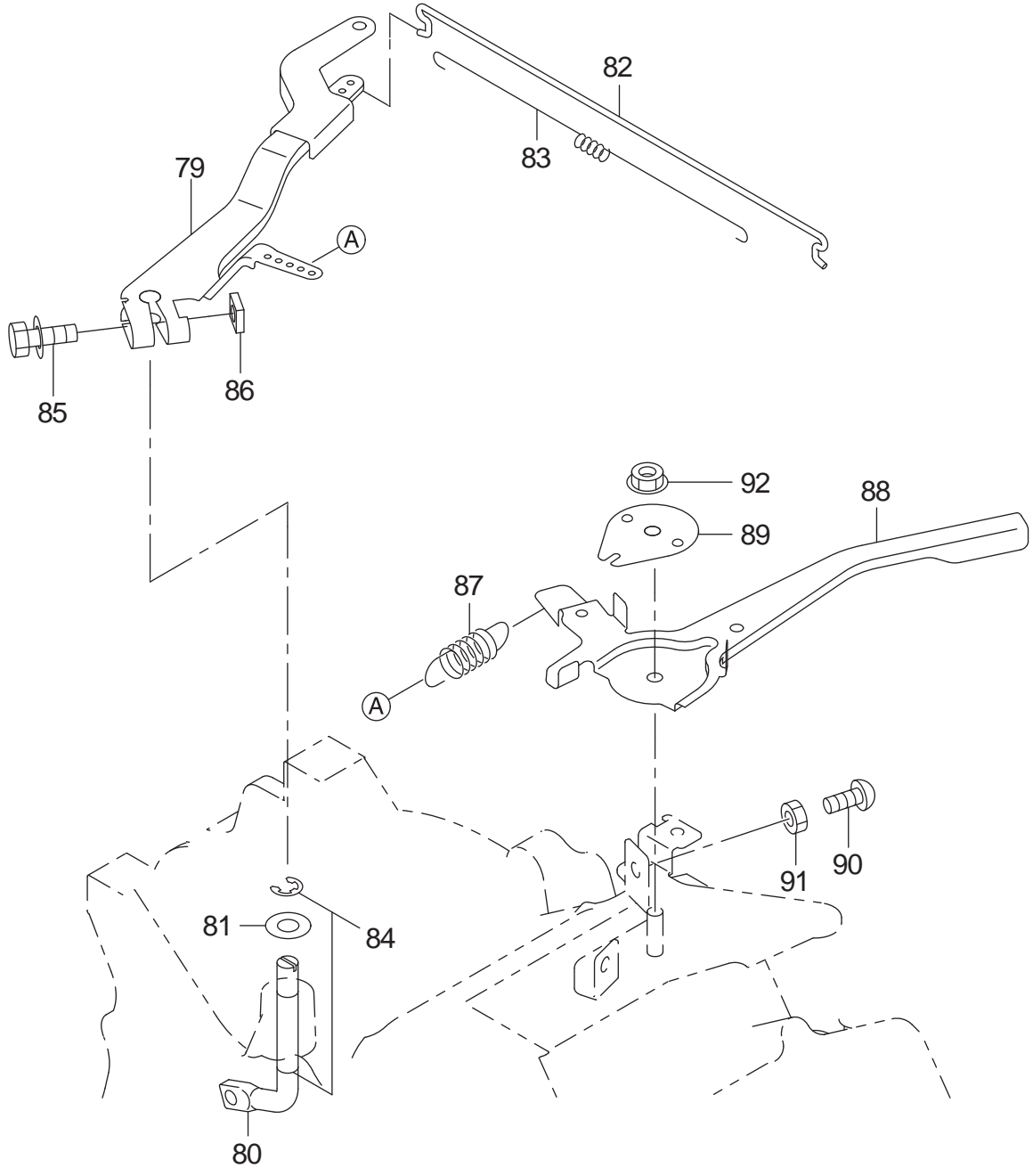
G7301R

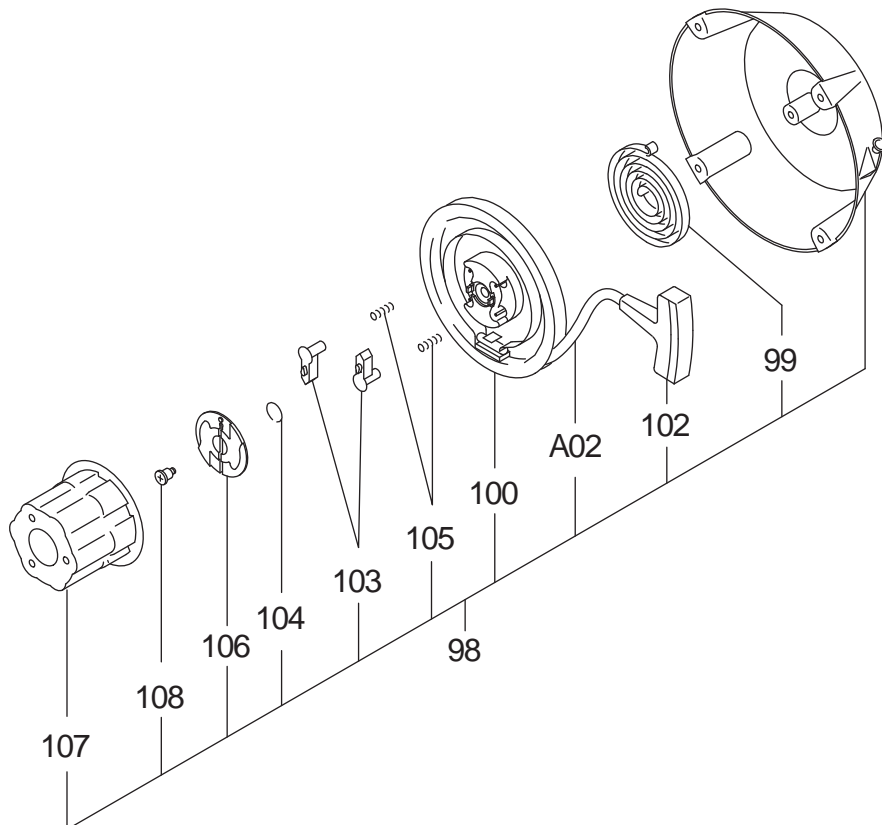
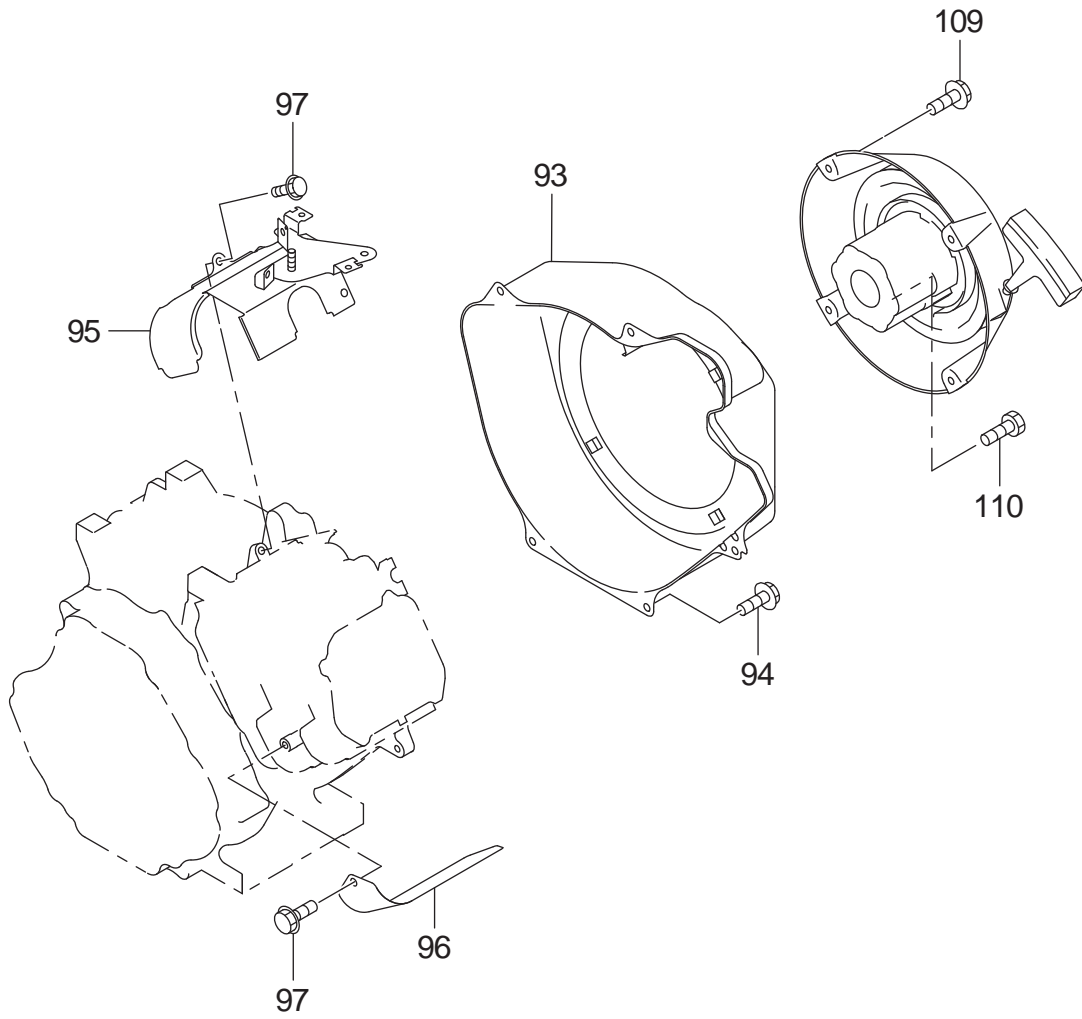
GENERATOR, 7300W ELEC STARER

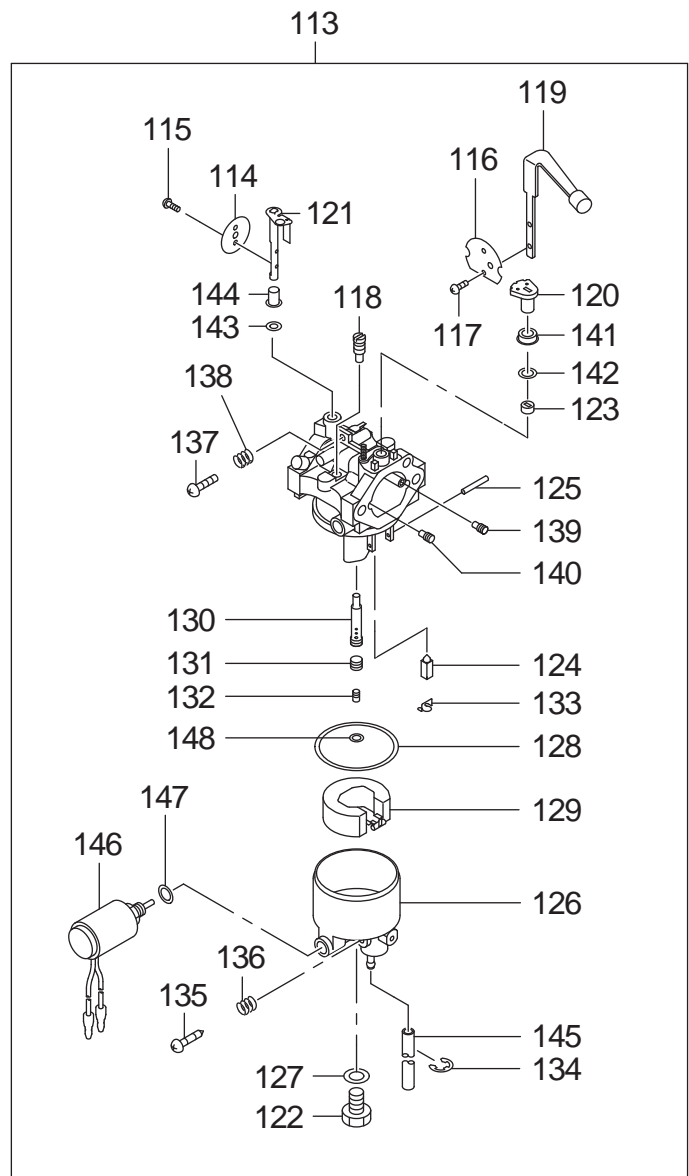
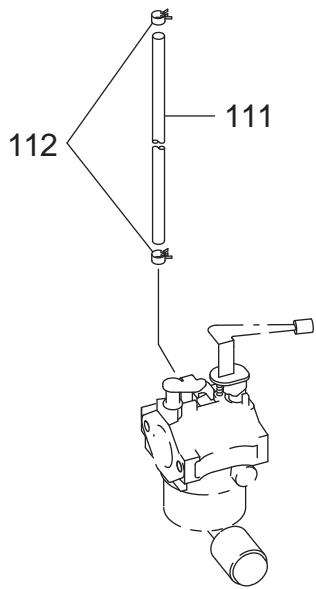


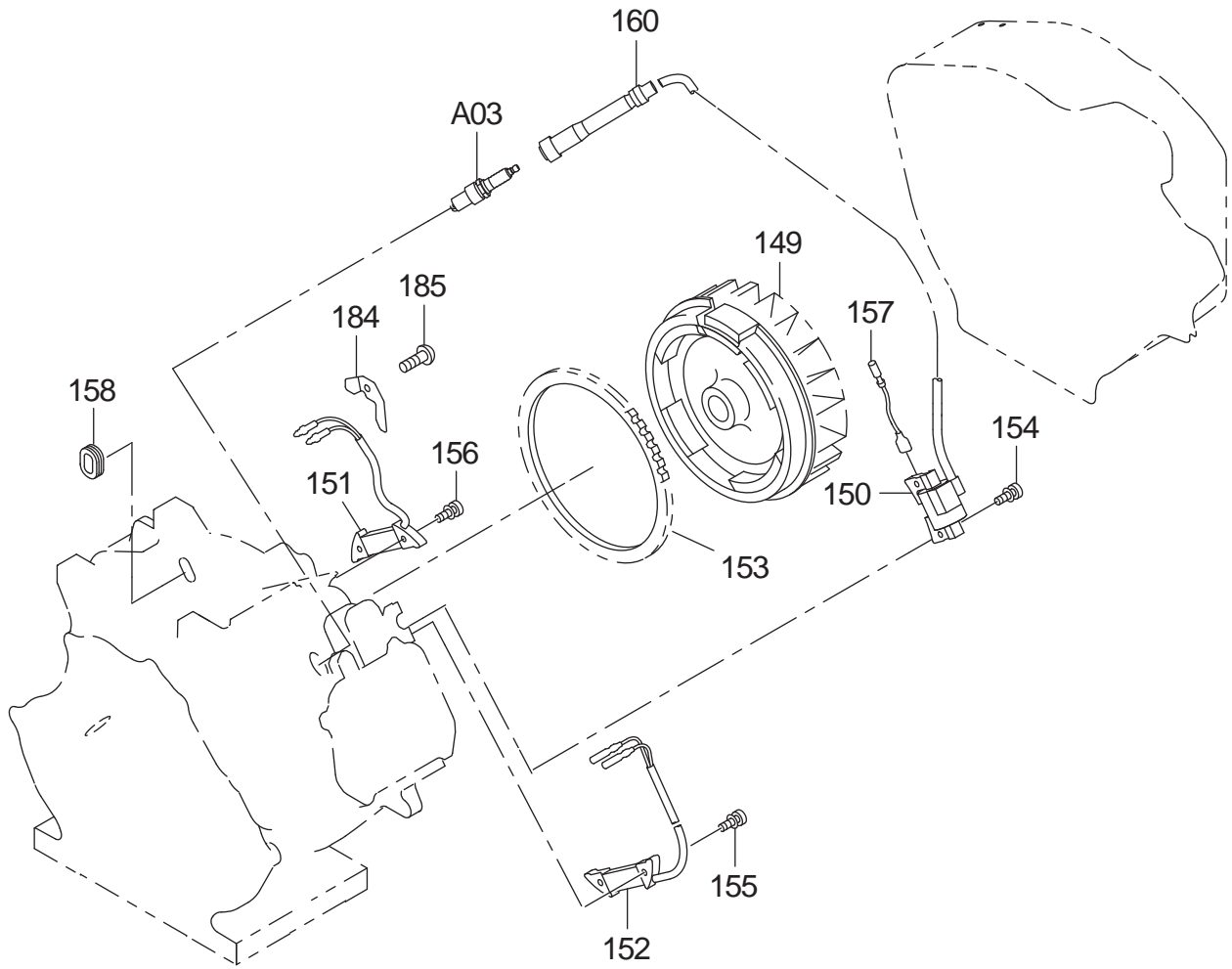


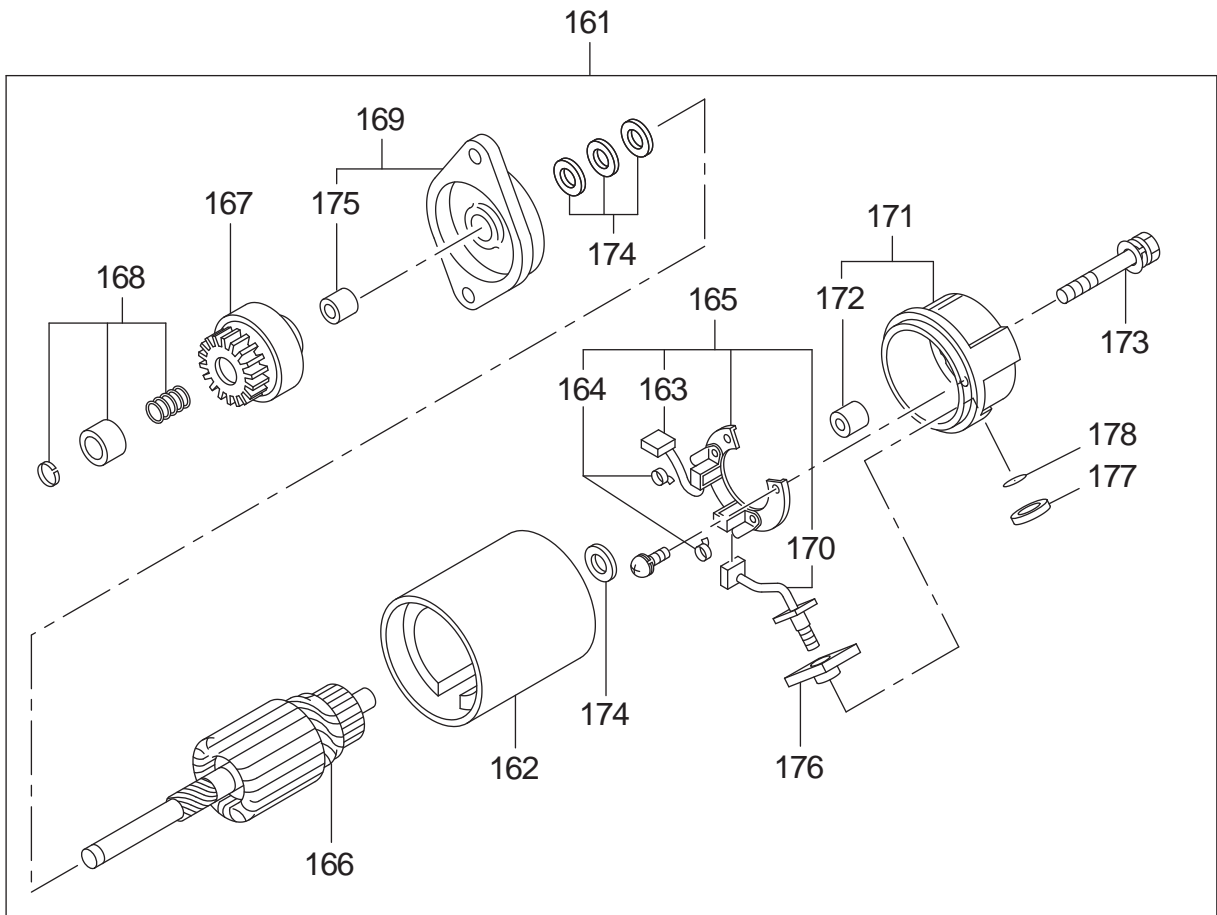
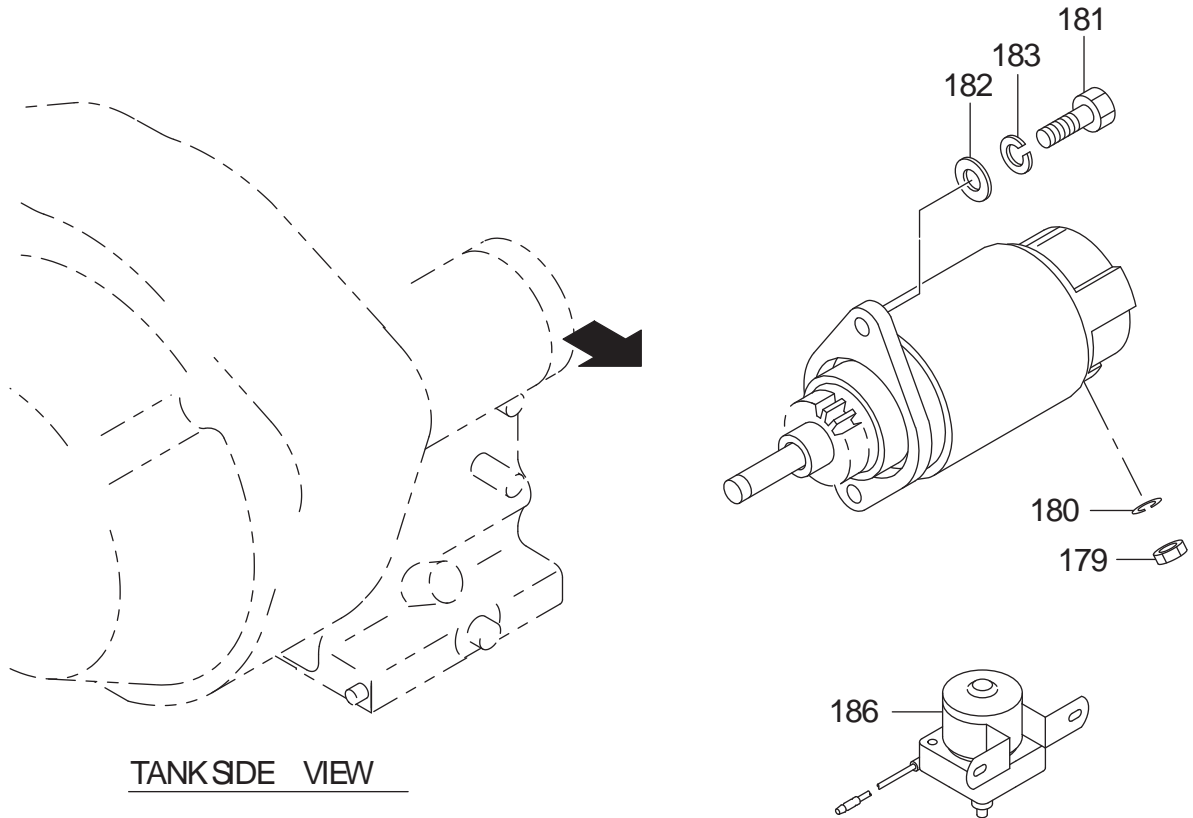




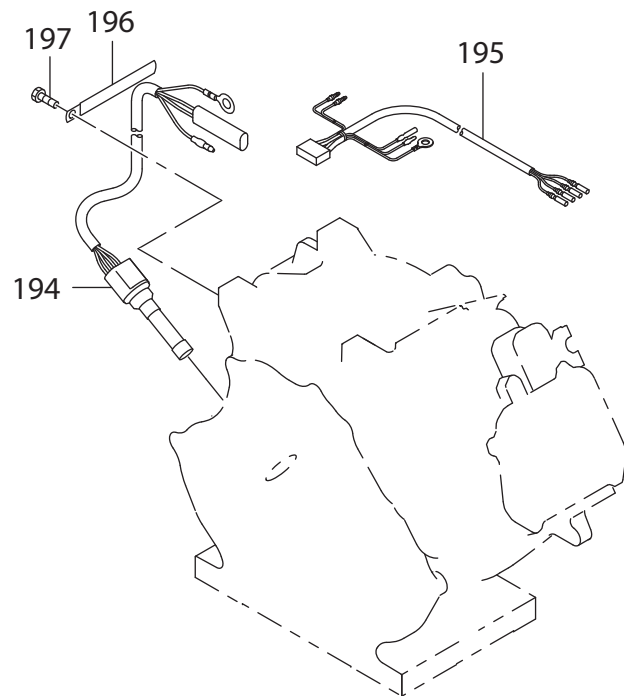
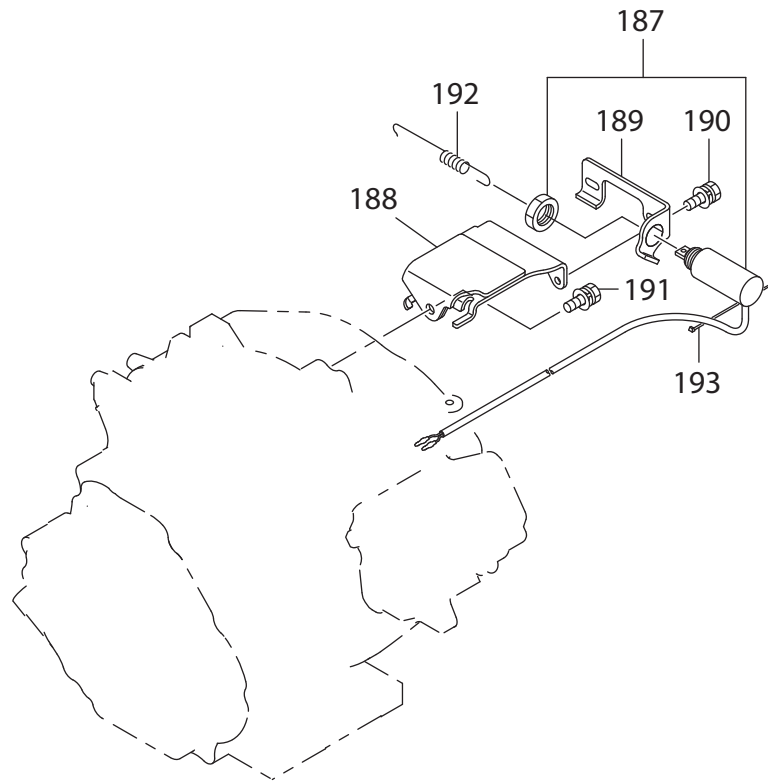


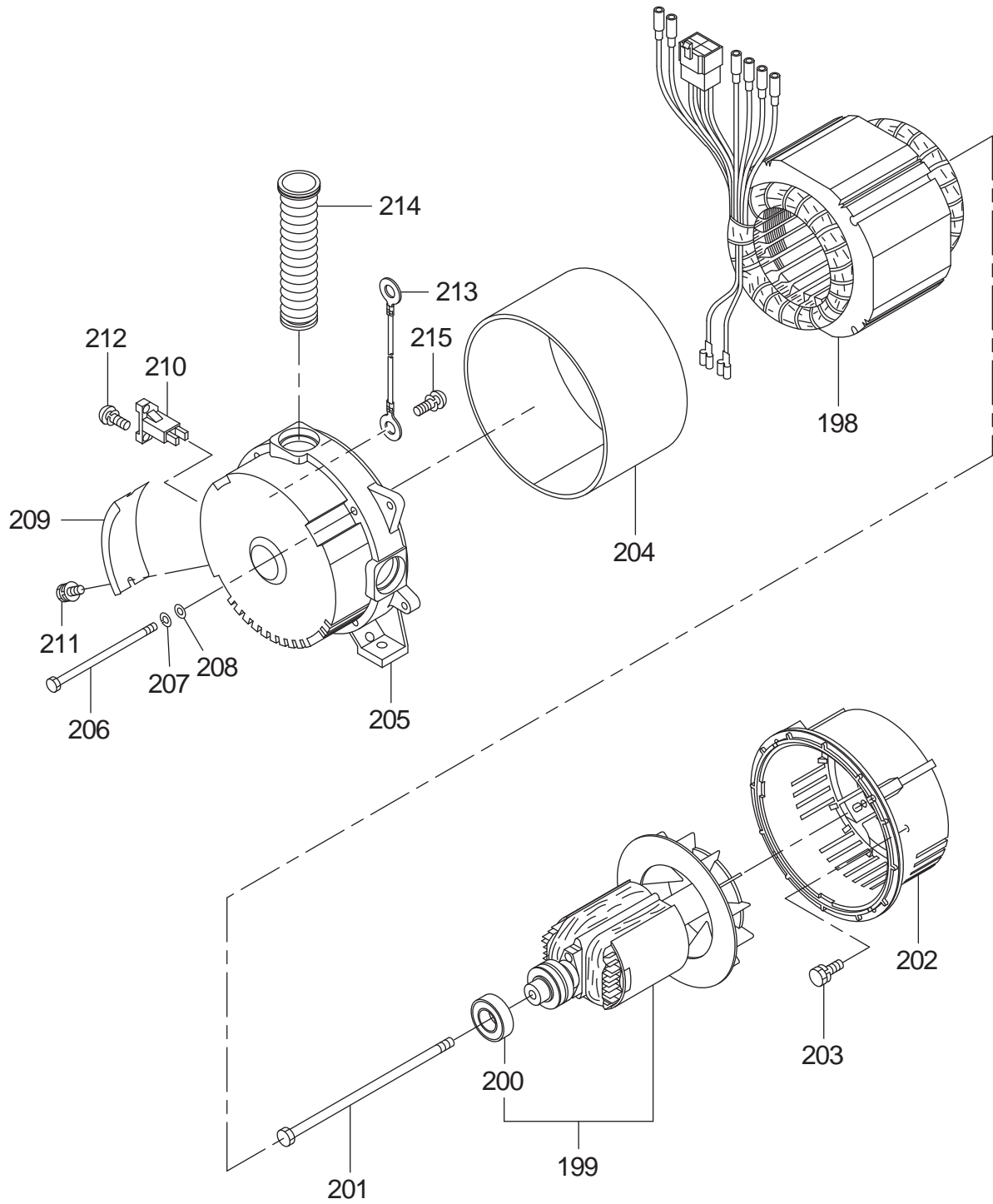


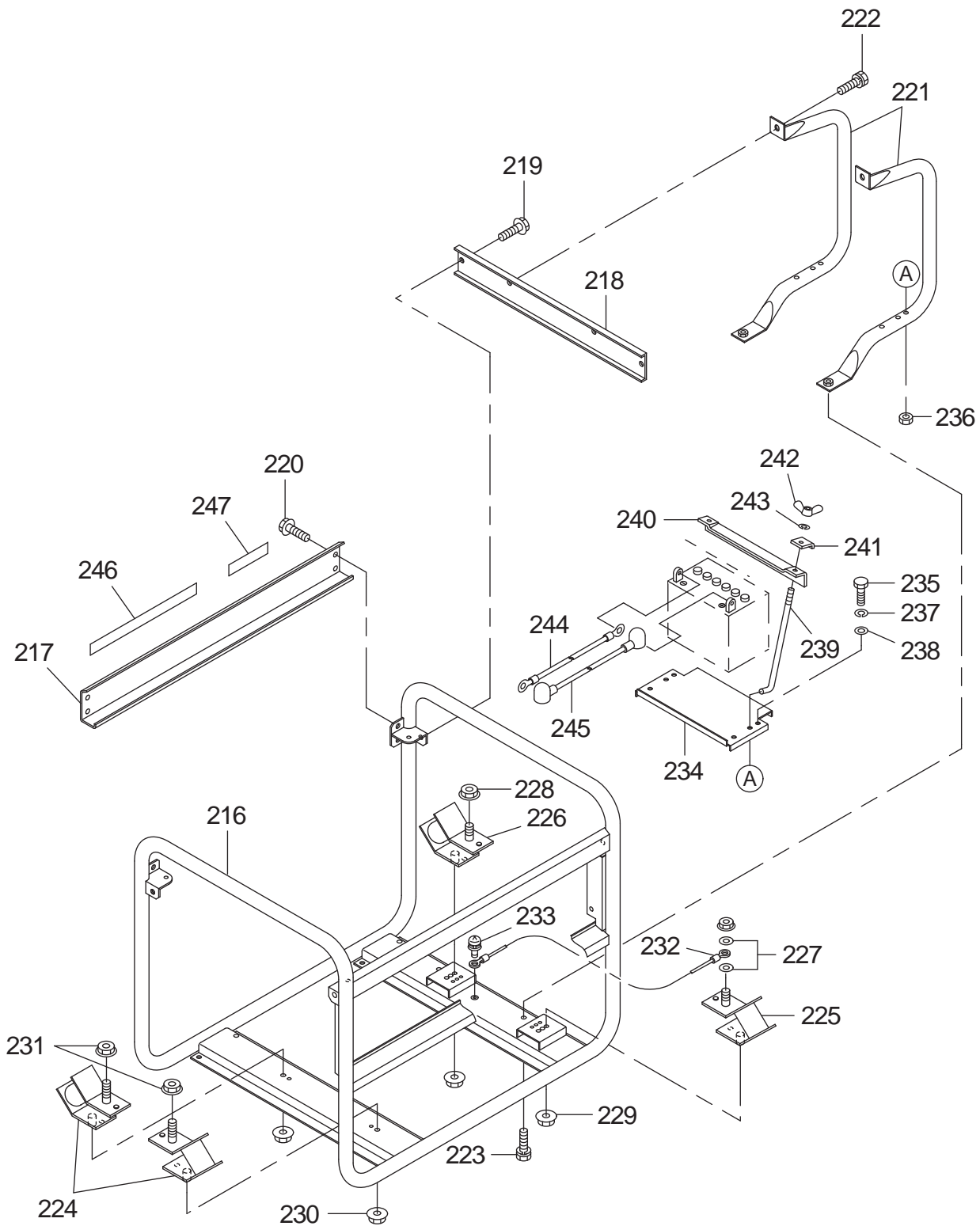


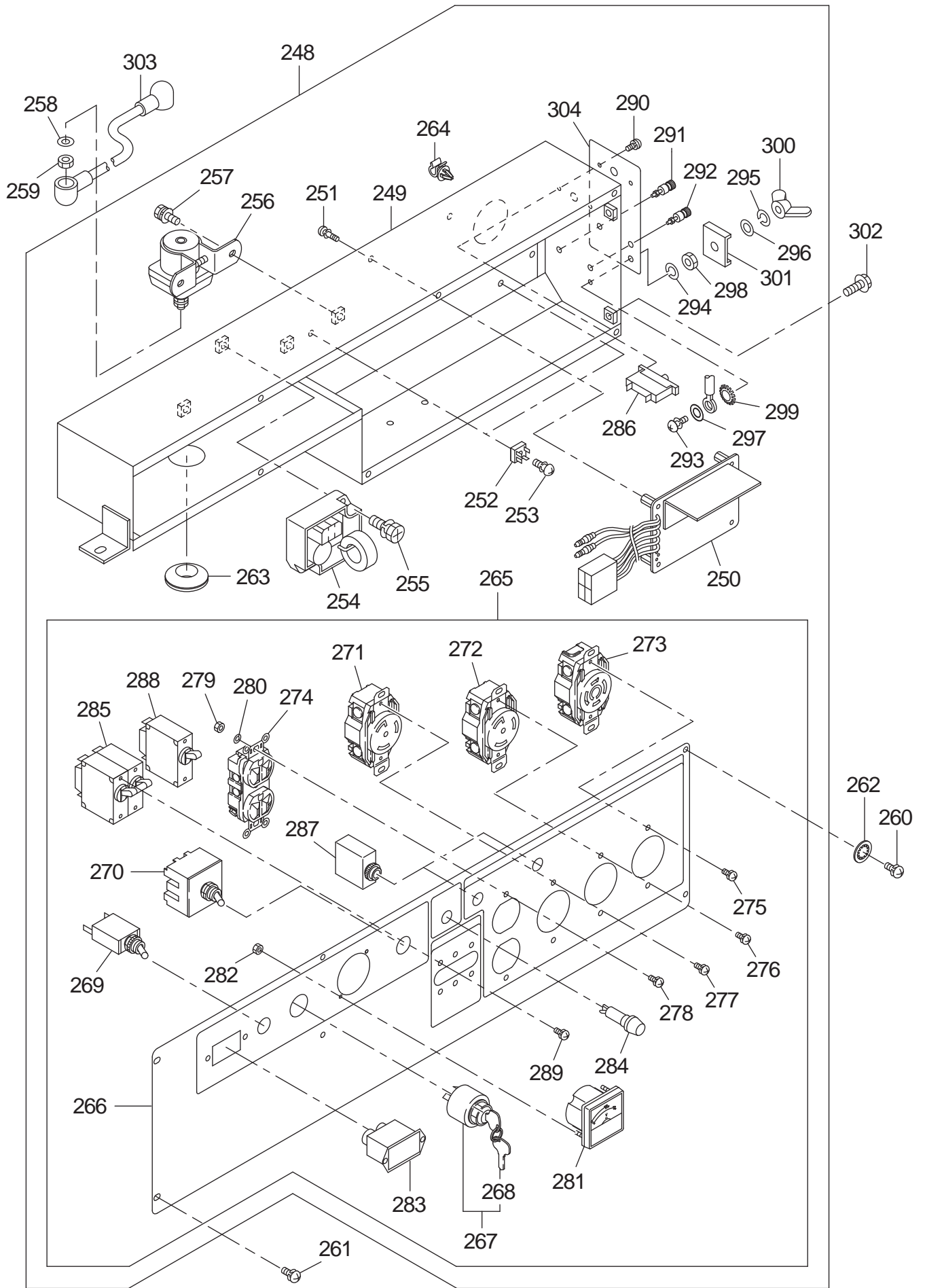


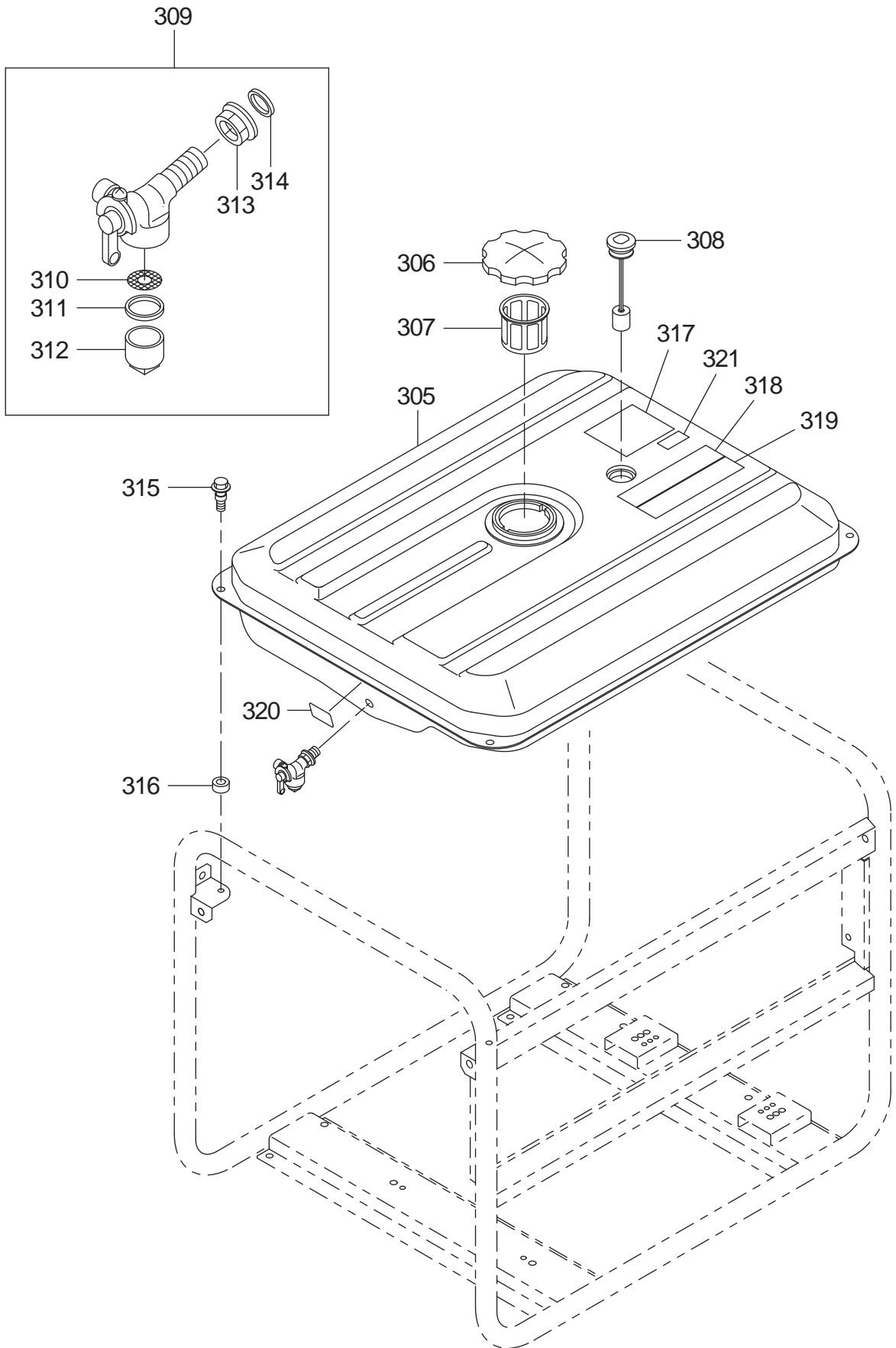


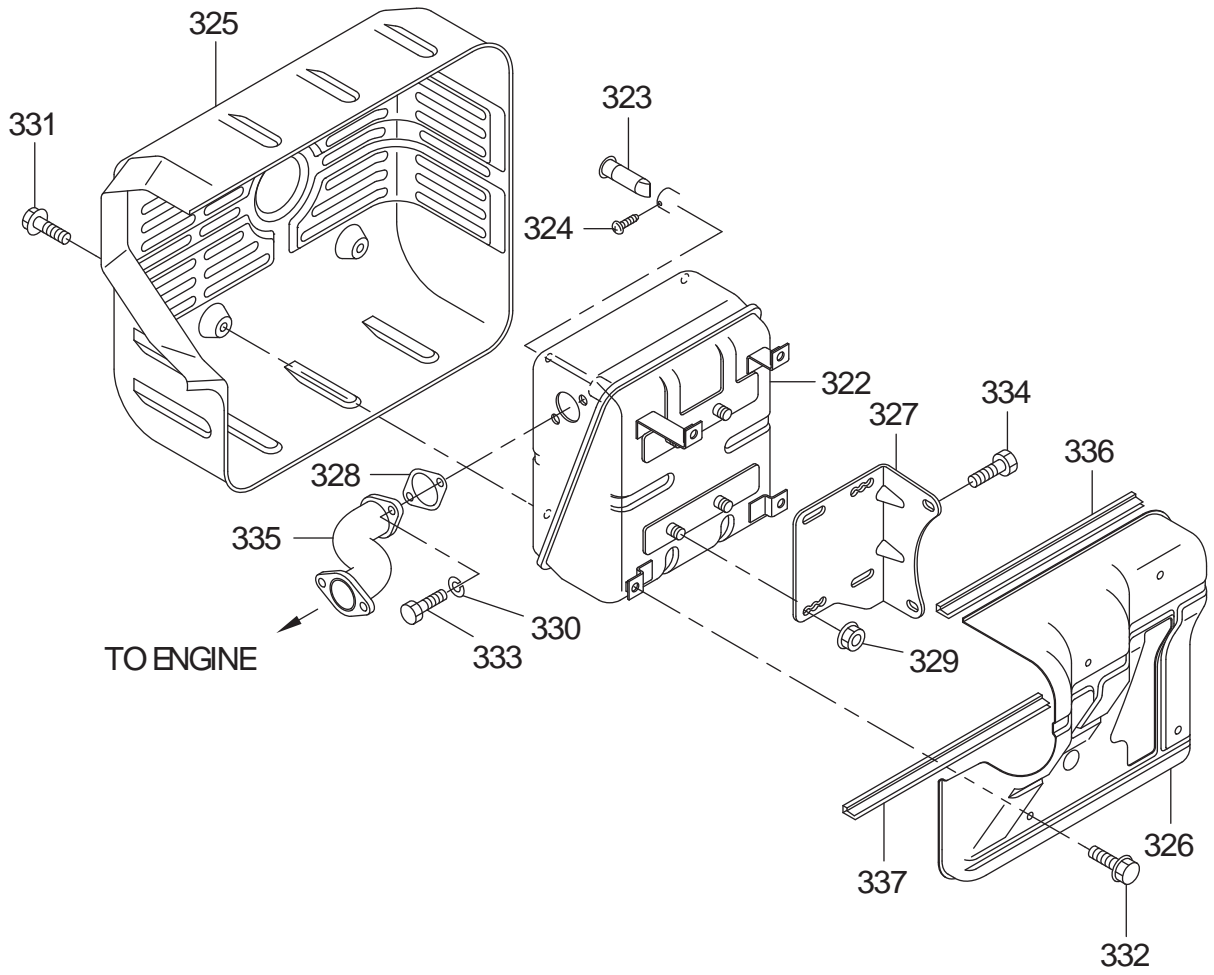


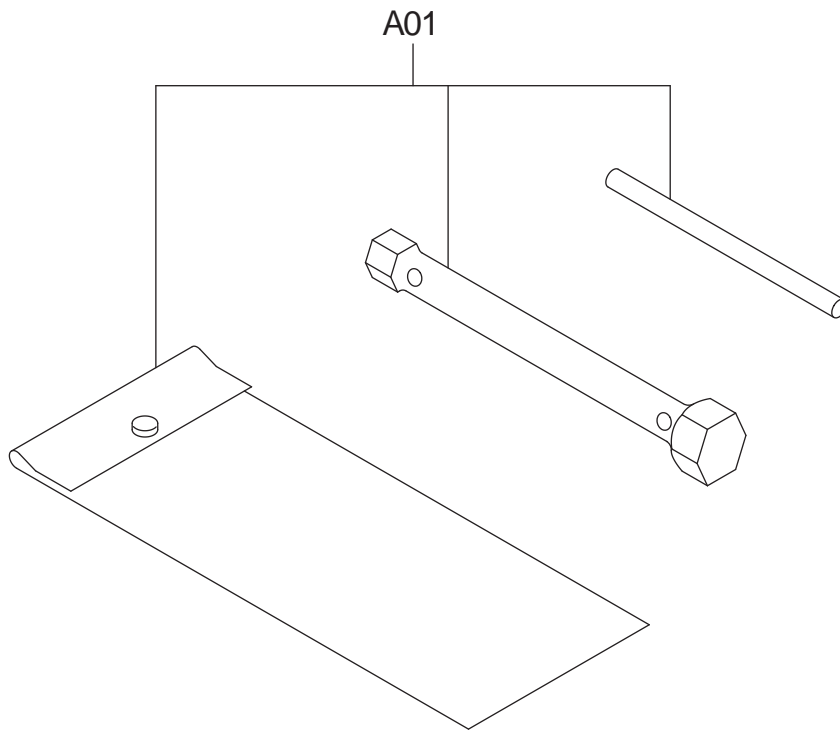












Item No.	Type	Sub	Part No.	Description	Qty	Unit
1			267-10101-71	CRANKCASE CP	1	PC.
		INC.	--	Item No.6-9,12		
2			263-14211-03	VALVE GUIDE	2	PC.
3			056-51000-50	CLIP	1	PC.
4			132-07AA0-50	SEAL(INTAKE VALVE)	1	PC.
5			263-35341-03	RETAINER PLATE	1	PC.
6	1		044-03500-90	OIL SEAL (TB 35X48X8MM)	1	PC.
	2		044-03500-91	OIL SEAL (TB 35X48X8MM)	1	PC.
7			060-03500-10	BALL BEARING 6207C3	1	PC.
8			060-01500-10	BALL BEARING	1	PC.
9			031-00600-20	DOWEL PIN	2	PC.
10			010-50802-90	MUFFLER STUD	2	PC.
11			010-50603-51	STUD M6X1.0X98L	2	PC.
12			044-00800-10	OIL SEAL	1	PC.
13			040-11400-30	PLUG	2	PC.
14			021-11400-20	GASKET	2	PC.
15			267-11001-41	MAIN BEARING COVER CP	1	PC.
		INC.	--	Item No.16-18		
16	1		044-03500-90	OIL SEAL (TB 35X48X8MM)	1	PC.
	2		044-03500-91	OIL SEAL (TB 35X48X8MM)	1	PC.
17			060-03500-10	BALL BEARING 6207C3	1	PC.
18			060-01500-10	BALL BEARING	1	PC.
19			267-45001-01	GOVERNOR GEAR CP	1	PC.
20			205-41901-03	GOVERNOR SLEEVE	1	PC.
21			224-63601-01	OIL GAUGE COMPLETE	1	PC.
		INC.	--	Item No.23		
22			042-02200-10	PLUG (RUBBER)	1	PC.
23			021-32000-50	GASKET	1	PC.
24			267-15101-13	GASKET(BEARING COVER)	1	PC.
25			267-19999-03	FLANGE BOLT	7	PC.
26			267-13003-31	CYLINDER HEAD CP	1	PC.
		INC.	--	Item No.2-4,10,11,27		
27			267-15001-13	GASKET(HEAD)	1	PC.
28			011-01000-30	FLANGE BOLT	4	PC.
29			267-15501-11	ROCKER COVER CP	1	PC.
30			267-15201-13	GASKET(ROCKER COVER)	1	PC.
31			031-00600-20	DOWEL PIN	2	PC.
32			011-00601-30	FLANGE BOLT	4	PC.
33			267-16001-13	LEAF VALVE	1	PC.
34			267-16101-13	RETAINER PLATE	1	PC.
35			011-00600-10	FLANGE BOLT M6X1.0X14DX8L	1	PC.
36			267-20701-11	CRANKSHAFT CP	1	PC.
37			023-03501-60	SPACER (T=0.6)	1	PC.
37A			023-03501-70	SPACER (T=0.8)	1	PC.
37B			023-03501-80	SPACER (T=1.0)	1	PC.
38			018-01800-10	FLANGE NUT M18X15X31DX14H	1	PC.
39			003-20180-00	SPRING WASHER	1	PC.
40			003-10180-00	WASHER	1	PC.
41			005-32054-01	WOODRUFF KEY	1	PC.
42			267-24101-13	BALANCER SHAFT	1	PC.
43	1		267-22501-10	CONNECTING ROD ASSY - N/L/A	1	PC.
		INC.	--	Item No.44		
	2		267-22501-00	CONNECTING ROD ASSY	1	PC.
		INC.	--	Item No.44		
43A			267-22503-00	CONNECTING ROD ASSY 0.25 U.S - N/A	1	PC.
		INC.	--	Item No.44		
44			001-05084-00	FLANGE BOLT	2	PC.
45			263-23301-03	PISTON PIN	1	PC.
46			267-23401-03	PISTON STD	1	PC.
46A			267-23402-03	PISTON 0.25 O.S	1	PC.
46B			267-23403-03	PISTON 0.50 O.S	1	PC.



Item No.	Type	Sub	Part No.	Description	Qty	Unit
47			267-23501-07	PISTON RING SET STD	1	SET
47A			267-23502-07	PISTON RING SET 0.25 O.S	1	SET
47B			267-23503-07	PISTON RING SET 0.50 O.S	1	SET
48			056-52100-20	CLIP	2	PC.
49			267-31701-01	CAMSHAFT CP	1	PC.
50			246-36201-11	RELEASE LEVER COMPL.	1	PC.
51			246-36701-03	RETURN SPRING	1	PC.
52			239-33301-13	TAPPET	2	PC.
53			246-33611-03	VALVE SPRING	2	PC.
54			246-33711-13	SPRING RETAINER	2	PC.
55			263-33401-03	INTAKE VALVE	1	PC.
56			263-33502-13	EXHAUST VALVE	1	PC.
57			246-35501-03	COLLET-VALVE	4	PC.
58			023-02200-50	SPACER (T=0.6)	1	PC.
58A			023-02200-60	SPACER (T=0.7)	1	PC.
58B			023-02200-70	SPACER (T=0.8)	1	PC.
59			267-35301-C1	PUSH ROD CP	2	PC.
60			267-36101-13	ROCKER ARM	2	PC.
61			261-35801-13	BOLT(PIVOT)	2	PC.
62			267-35701-03	PIVOT	2	PC.
63			017-00601-10	NUT	2	PC.
64			267-36501-13	GUIDE PLATE	1	PC.
65			270-35201-01	GASKET COMPL.(EXHAUST)	1	PC.
66			017-00800-30	NUT	2	PC.
67			003-20080-00	SPRING WASHER	2	PC.
68			267-32608-20	AIR CLEANER ASSY	1	PC.
		INC.	--	Item No.69,71,72		
69			267-32622-18	CLEANER BODY CP	1	PC.
		INC.	--	Item No.70		
70			267-32721-08	GASKET	1	PC.
71			267-32640-08	CLEANER COVER CP	1	PC.
72			267-32661-18	CLEANER ELEMENT ASSY	1	PC.
73			267-32901-03	INSULATOR	1	PC.
74			267-35901-13	GASKET(INSULATOR)	2	PC.
75			002-38060-00	FLANGE NUT M6	2	PC.
76			001-04061-60	FLANGE BOLT	2	PC.
77			267-17001-03	PUBBER PIPE	1	PC.
78			073-20044-30	LABEL(CHOKE)	1	PC.
79			267-42303-11	GOVERNOR LEVER CP	1	PC.
80			267-42201-03	GOVERNOR SHAFT	1	PC.
81			003-11080-00	WASHER	1	PC.
82			267-42701-01	GOVERNOR ROD CP	1	PC.
83			267-42801-13	ROD SPRING	1	PC.
84			003-13060-00	CLIP	2	PC.
85			001-14063-00	BOLT AND WASHER ASS'Y	1	PC.
86			018-60600-20	NUT M6X1.0X4.9H	1	PC.
87			267-42502-01	GOVERNOR SPRING CP	1	PC.
88			267-43310-03	SPEED CONTROL LEVER	1	PC.
89			227-43501-13	STOP PLATE	1	PC.
90			004-31042-50	SCREW	1	PC.
91			230-49003-13	SPRING(ADJUSTER)	1	PC.
92			017-60600-20	SELF LOCK NUT	1	PC.
93			267-51267-01	BLOWER HOUSING CP	1	PC.
94			011-00600-20	FLANGE BOLT M6X1.0X14DX12L	5	PC.
95			267-52601-12	CYLINDER BAFFLE 1 UN	1	PC.
96			267-52701-03	CYLINDER BAFFLE 2	1	PC.
97			011-00600-10	FLANGE BOLT M6X1.0X14DX8L	4	PC.
98			267-50201-10	RECOIL STARTER ASSY	1	PC.
		INC.	--	Item No.99-100,A02,102-108		
99			261-50115-08	SPIRAL SPRING	1	PC.
100			246-50120-08	REEL	1	PC.

Item No.	Type	Sub	Part No.	Description	Qty	Unit
102			261-50100-08	STARTER KNOB	1	PC.
103			246-50125-08	RATCHET	2	PC.
104			246-50130-08	FRICITION SPRING	1	PC.
105			227-50135-08	RETURN SPRING	2	PC.
106			246-50160-08	RATCHET GUIDE	1	PC.
107			224-50150-08	STARTER PULLY	1	PC.
108			227-50152-08	SET SCREW	1	PC.
109			011-00600-10	FLANGE BOLT M6X1.0X14DX8L	4	PC.
110			001-65081-20	BOLT	3	PC.
111	1		085-10603-50	RUBBER PIPE 6DX12DX180L - N/A	1	PC.
	2		085-10600-00	RUBBER PIPE 6DX12DX1000L	1	PC.
112			056-11100-20	HOSE CLAMP 11D	2	PC.
113			267-62310-10	CARBURETOR ASSY	1	PC.
		INC.		Item No.114-148		
114			267-62535-08	THROTTLE VALVE	1	PC.
115			209-62351-08	SCREW ASS'Y	2	PC.
116			267-62526-08	CHOKE VALVE	1	PC.
117			237-62451-08	SCREW	2	PC.
118			227-62422-08	PILOT JET	1	PC.
119			267-62521-08	CHOKE LEVER ASSY	1	PC.
120			239-62560-08	RING	1	PC.
121			267-62531-08	THROTTLE SHAFT A	1	PC.
122			248-62425-08	JET HOLDER	1	PC.
123			226-62550-08	RING	1	PC.
124			224-62312-18	NEEDLE VALVE	1	PC.
125			214-62515-08	FLOAT PIN	1	PC.
126			267-62551-08	FLOAT BODY-A	1	PC.
127			248-62451-08	WASHER	1	PC.
128			206-62540-08	PACKING	1	PC.
129			234-62506-08	FLOAT ASS'Y	1	PC.
130			267-62440-08	MAIN NOZZLE	1	PC.
131			246-62425-08	PIPE	1	PC.
132			254-62403-08	MAIN JET	1	PC.
133			224-62569-18	CLIP	1	PC.
134			138-62354-08	CLIP	1	PC.
135			214-62454-08	SCREW	1	PC.
136			205-62447-08	SPRING	1	PC.
137			224-62452-08	SCREW	1	PC.
138			230-62446-08	SPRING	1	PC.
139			106-62411-08	AIR JET	1	PC.
140			246-62410-08	AIR JET	1	PC.
141			247-62550-08	CAP	1	PC.
142			236-62680-08	SEAL	1	PC.
143			106-62392-08	SEAL	1	PC.
144			267-62450-08	RING	1	PC.
145			267-62571-08	HOSE	1	PC.
146			247-62562-08	SOLENOID ASSY	1	PC.
147			247-62565-08	WASHER	1	PC.
148			242-62313-08	O RING	1	PC.
149			267-79202-11	FLYWHEEL CP	1	PC.
150			267-79401-21	IGNITION COIL CP	1	PC.
151			246-79301-01	CHARGE COIL CP	1	PC.
152			267-79603-01	EXCITER COIL CP	1	PC.
153			267-71002-03	RING GEAR	1	PC.
154			001-14062-50	BOLT & WASHER ASS'Y	2	PC.
155			004-35062-00	SCREW & WASHER ASS'Y	2	PC.
156			004-35062-00	SCREW & WASHER ASS'Y	2	PC.
157			267-73101-01	WIRE 1 CP	1	PC.
158			226-75501-03	GROMMET	1	PC.
160			065-50002-40	SPARK PLUG CAP	1	PC.
161			224-70502-00	STARTER MOTOR ASS'Y	1	PC.

Item No.	Type	Sub	Part No.	Description	Qty	Unit
		INC.	--	Item No.162-178		
162			235-70560-08	YOKE ASS'Y	1	PC.
163			235-70535-08	BRUSH(+)	1	PC.
164			235-70545-08	BRUSH SPRING	2	PC.
165			235-70530-08	BRUSH HOLDER ASS'Y	1	PC.
		INC.	--	Item No.163,164,170		
166			235-70550-08	ARMATURE ASS'Y	1	PC.
167			224-70551-08	PINION ASS'Y	1	PC.
168			224-70553-08	STOPPER SET, PINION	1	PC.
169			246-70500-08	FRONT COVER ASS'Y	1	PC.
		INC.	--	Item No.175		
170			235-70540-08	BRUSH(-)	1	PC.
171			246-70505-08	REAR COVER ASS'Y	1	PC.
		INC.	--	Item No.172		
172			113-70510-08	METAL	1	PC.
173			235-70575-08	THROUGH BOLT	2	PC.
174			235-70555-08	WASHER KIT (4PC KIT)	1	PC.
175			214-70560-08	METAL	1	PC.
176			235-70565-08	M BUSH(1)	1	PC.
177			235-70566-08	M BUSH(2)	1	PC.
178			246-70580-08	O RING	1	PC.
179			002-27060-00	NUT M6	1	PC.
180			003-20060-00	SPRING WASHER	1	PC.
181			214-79007-01	BOLT,STARTER	2	PC.
182			003-10080-00	WASHER	2	PC.
183			003-20080-00	SPRING WASHER	2	PC.
184			246-75502-01	CLAMP COMPLETE	1	PC.
185			004-31060-80	PAN HEAD SCREW	1	PC.
186			214-77002-10	MAGNETIC SWITCH	1	PC.
187			253-75010-00	SOLENOID ASSY	1	PC.
188			267-76001-01	BRACKET(SOLENOID)1 CP	1	PC.
189			267-76002-11	BRACKET(SOLENOID)2CP	1	PC.
190			013-00602-20	BOLT AND WASHER ASSY	2	PC.
191			001-13082-00	BOLT & WASHER ASS'Y	1	PC.
192			267-78202-03	SPRING(SOLENOID)	1	PC.
193			056-30000-40	WIRE BAND	1	PC.
194			KS3-11020-01	OIL SENSOR CP 11	1	PC.
195			267-73108-01	WIRE 8 CP	1	PC.
196			056-60002-50	CLAMP	5	PC.
197			011-00600-10	FLANGE BOLT M6X1.0X14DX8L	1	PC.
198			31H-52007-01	STATOR CP	1	PC.
199			31H-52002-01	ROTOR CP	1	PC.
		INC.	--	Item No.200		
200			354-58204-08	BALL BEARING 6205-2RS	1	PC.
201			31H-62003-01	THROUGH BOLT	1	PC.
202			354-54116-08	FRONT COVER	1	PC.
203			001-13082-00	BOLT & WASHER ASS'Y	4	PC.
204			31H-54001-01	STATOR COVER	1	PC.
205			31H-53001-01	REAR COVER	1	PC.
206			31H-62004-01	COVER BOLT	4	PC.
207			003-20080-00	SPRING WASHER	4	PC.
208			003-10080-00	WASHER	4	PC.
209			354-54513-08	BRUSH COVER	1	PC.
210	1		31G-74001-01	BRUSH HOLDER CP - N/L/A	1	PC.
	2		31H-54002-01	BRUSH HOLDER CP	1	PC.
211			356-59953-08	BOLT	2	PC.
212			31G-62001-01	SCREW & WASHER ASSY	2	PC.
213			31H-75031-03	EARTH WIRE CP	1	PC.
214			353-57506-08	BUSHING	1	PC.
215			392-49986-08	SCREW	1	PC.
216			31H-61001-01	PIPE FRAME CP	1	PC.

Item No.	Type	Sub	Part No.	Description	Qty	Unit
217			31H-61012-01	REAR PLATE	1	PC.
218			31H-61011-01	SIDE PLATE	1	PC.
219			31G-62002-01	FLANGE BOLT	2	PC.
220			31G-62002-01	FLANGE BOLT	4	PC.
221			390-56076-08	BATTERY FRAME COMPLETE	2	PC.
222			001-13082-00	BOLT & WASHER ASS'Y	2	PC.
223			001-13082-00	BOLT & WASHER ASS'Y	2	PC.
224			31H-35001-01	MOUNT CP	2	PC.
225			31H-35002-01	MOUNT CP	1	PC.
226			31H-35002-01	MOUNT CP	1	PC.
227			003-10080-00	WASHER	2	PC.
228			002-38080-00	FLANGE NUT	2	PC.
229			002-38080-00	FLANGE NUT	2	PC.
230			002-38080-00	FLANGE NUT	2	PC.
231			002-38080-00	FLANGE NUT	2	PC.
232			31H-75032-03	EARTH WIRE	1	PC.
233			392-49987-08	SCREW	1	PC.
234			389-54451-08	BATTERY BASE CP	1	PC.
235			001-11063-50	BOLT & WASHER ASS'Y	4	PC.
236			002-17060-00	NUT M6	4	PC.
237			003-20060-00	SPRING WASHER	4	PC.
238			003-10060-00	WASHER	4	PC.
239			353-59921-08	BOLT	2	PC.
240			385-54382-08	BATTERY ANGLE	1	PC.
241			385-54416-08	BATTERY SUPPORT	2	PC.
242			31C-69004-03	WING NUT	2	PC.
243			003-20060-00	SPRING WASHER	2	PC.
244			31D-69002-03	BATTERY CORD(-)	1	PC.
245			31D-69001-03	BATTERY CODE (+)	1	PC.
246			31H-81012-03	LABEL(CSA)	1	PC.
247			073-20048-60	LABEL(HOT&GAS)	1	PC.
248			31H-71020-00	CONTROL BOX ASSY	1	PC.
		INC.	--	Item No.249-257,263-301,304		
249			31H-73002-01	CONTROL BOX UNIT	1	PC.
250			31H-74001-01	AVR UNIT	1	PC.
251			392-49986-08	SCREW	4	PC.
252			353-45804-08	DIODE STACK ASS'Y	2	PC.
253			353-59949-08	SCREW & WASHER ASS'Y	2	PC.
254			KU3-11047-01	IDLE CONTROL UNIT	1	PC.
255			004-36062-00	SCREW M6X20	2	PC.
256			214-77002-10	MAGNETIC SWITCH	1	PC.
257			356-59953-08	BOLT	2	PC.
258			003-20060-00	SPRING WASHER	2	PC.
259			002-27060-00	NUT M6	2	PC.
260			31H-75007-03	SCREW	6	PC.
261			31H-75008-03	SCREW AND WASHER ASSY	2	PC.
262			31B-79003-03	LOCK WASHER	2	PC.
263			31H-75009-03	GROMMET	1	PC.
264			31H-75028-03	CABLE CLIP	3	PC.
265			31H-73021-00	CONTROL PANEL ASSY	1	PC.
		INC.	--	Item No.266-285,287-289		
266			31H-73034-01	CONTROL PANEL	1	PC.
267			066-00003-30	KEY SWITCH ASS'Y	1	PC.
		INC.	--	Item No.268		
268			066-00099-80	KEY(2PCS)	2	PC.
269			389-45671-08	SWITCH ASSY	1	PC.
270			31D-73009-03	SWITCH ASSY	1	PC.
271			31H-75005-03	AC RECEPTACLE	1	PC.
272			380-45749-08	AC RECEPTACLE	1	PC.
273			31G-75017-03	AC RECEPTACLE	1	PC.
274			31G-75020-03	AC RECEPTACLE	1	PC.

Item No.	Type	Sub	Part No.	Description	Qty	Unit
275			31G-75015-03	SCREW & WASHER ASSY	2	PC.
276			31G-75015-03	SCREW & WASHER ASSY	2	PC.
277			31G-75015-03	SCREW & WASHER ASSY	2	PC.
278			351-49920-08	SCREW AND WASHER ASSY M4X10L	2	PC.
279			002-17040-00	NUT	2	PC.
280			003-10040-00	WASHER	2	PC.
281	1		391-47900-11	AC VOLTMETER -N/L/A	1	PC.
	2		391-47902-01	AC VOLTMETER	1	PC.
282			002-17030-00	NUT(M5)	2	PC.
283			393-40651-08	HOUR METER	1	PC.
284			31H-75006-03	PILOT LAMP	1	PC.
285			31H-75021-03	BREAKER	1	PC.
286			31B-73012-03	BREAKER	1	PC.
287			31C-73008-03	CIRCUIT BREAKER	2	PC.
288			390-45673-08	CIRCUIT BREAKER(250V-30A)	1	PC.
289			31B-79011-03	SCREW AND WASHER ASS'Y	6	PC.
290			31B-79011-03	SCREW AND WASHER ASS'Y	2	PC.
291			363-45701-08	TERMINAL BOLT (RED)	1	PC.
292			363-45700-08	TERMINAL BOLT (BLACK)	1	PC.
293			31D-79001-03	SCREW	1	PC.
294			352-00050-08	SPRING WASHER	1	PC.
295			352-00050-08	SPRING WASHER	1	PC.
296			353-49903-08	WASHER	1	PC.
297			353-49903-08	WASHER	1	PC.
298			353-49902-08	NUT	1	PC.
299			372-59950-08	LOCK WASHER	1	PC.
300			353-49901-08	WING NUT	1	PC.
301			31D-79002-03	CAP WASHER	1	PC.
302			011-00600-80	FLANGE BOLT M6X12L	3	PC.
303			31H-75016-03	BATTERY CORD	1	PC.
304			31H-81025-03	LABEL(DC)	1	PC.
305	1		31H-36001-01	FUEL TANK CP	1	PC.
	2		31H-36005-01	FUEL TANK CP	1	PC.
306			043-05900-11	FUEL TANK CAP COMPLETE	1	PC.
307			064-15400-11	FUEL FILTER	1	PC.
308			064-80015-00	FUEL GAUGE COMPLETE	1	PC.
309			064-20064-00	FUEL STRAINER ASS'Y	1	PC.
		INC.	--	Item No.310-314		
310			064-20064-20	SCREEN	1	PC.
311			064-20064-10	RUBBER PACKING	1	PC.
312			064-20042-10	CUP	1	PC.
313			064-20064-30	NUT	1	PC.
314			064-20064-40	RUBBER PACKING	1	PC.
315			011-00602-20	FLANGE BOLT	4	PC.
316			391-39000-13	RUBBER (TANK)	4	PC.
317			33B-97102-13	LABEL (CAUTION)	1	PC.
318			377-92500-03	CAUTION LABEL	1	PC.
319			389-59384-08	LABEL(CAUTION)	1	PC.
320			073-20050-80	LABEL(F.STRAINER)	1	PC.
321			31G-81027-03	LABEL(NOISE)	1	PC.
322	1		31H-11001-01	MUFFLER CP - N/L/A	1	PC.
	2		31H-11002-01	MUFFLER CP	1	PC.
		INC.	013-50500-30	BOLT AND WASHER	1	PC.
		INC.	267-37602-01	SPARK ARRESTER CP	1	PC.
		INC.	267-37220-03	SCREEN	1	PC.
		INC.	267-37210-01	BAND CP(TAIL PIPE)	1	PC.
		INC.	267-37201-01	TAIL CLAMP	1	PC.
323			267-37601-01	SPARK ARRESTER CP	1	PC.
324			015-00400-60	TAPPING SCREW M4X6L	1	PC.
325			31H-12001-01	MUFF COVER(FRONT) CP	1	PC.
326			31H-13001-03	MUFFLER COVER(REAR)	1	PC.

Item No.	Type	Sub	Part No.	Description	Qty	Unit
327			31H-15001-03	MUFFLER BRACKET	1	PC.
328			267-35201-01	GASKET(EX)	1	PC.
329			002-38080-00	FLANGE NUT	4	PC.
330			020-30800-10	SPRING WASHER	2	PC.
331			011-00600-80	FLANGE BOLT M6X12L	4	PC.
332			011-00600-80	FLANGE BOLT M6X12L	4	PC.
333			010-30800-70	BOLT	2	PC.
334			001-13082-00	BOLT & WASHER ASS'Y	2	PC.
335			31H-14001-01	EXHAUST PIPE CP	1	PC.
336			31H-16001-03	SEAL RUBBER	1	PC.
337			31H-16001-03	SEAL RUBBER	1	PC.
<b><u>ACCESSORIES</u></b>						
A01			267-90301-00	ACCESSORY TOOL KIT	1	PC.
A02			226-50113-08	STARTER ROPE	1	PC.
A03			065-01404-80	SPARK PLUG	1	PC.
A04			110004-C	WHEEL KIT (See Parts breakdown 110004-C)	1	PC.